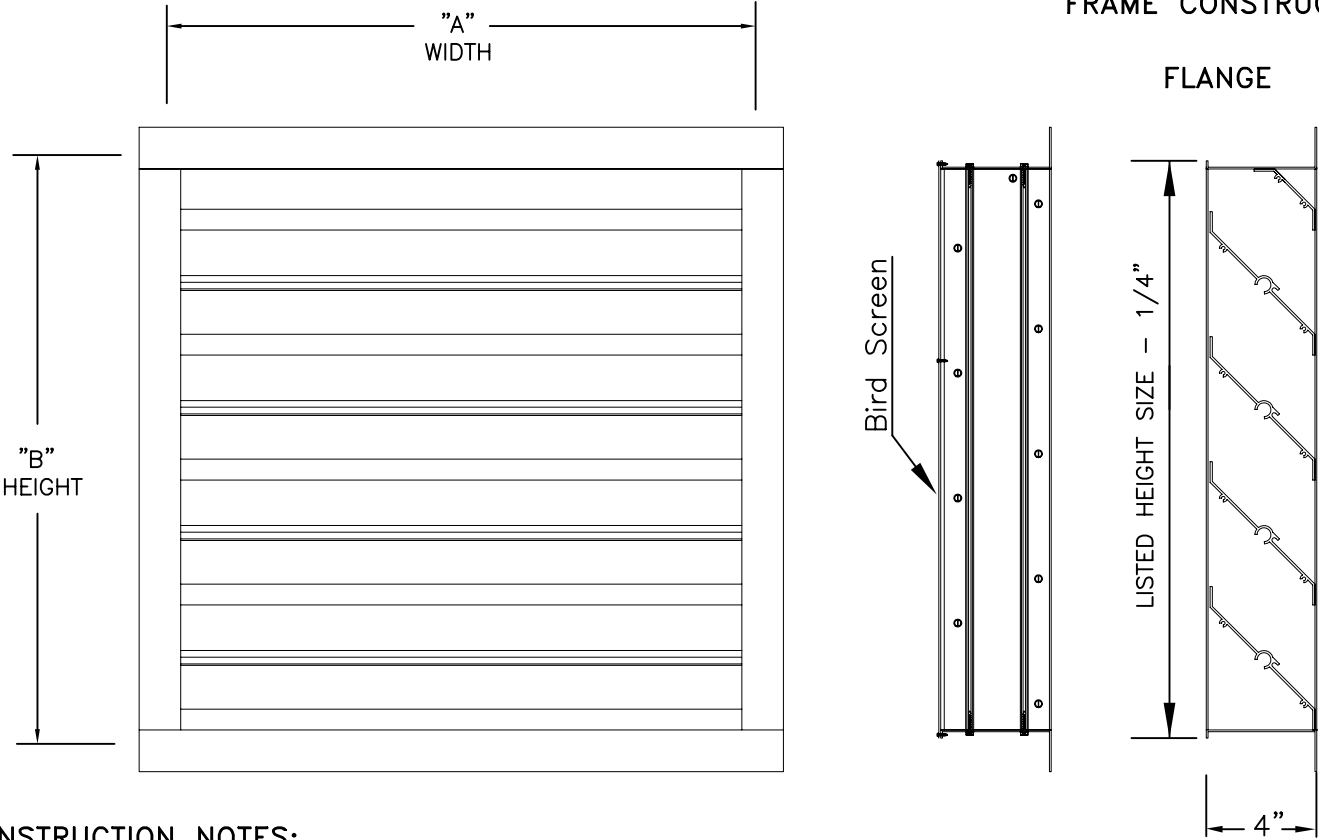


FRAME CONSTRUCTION

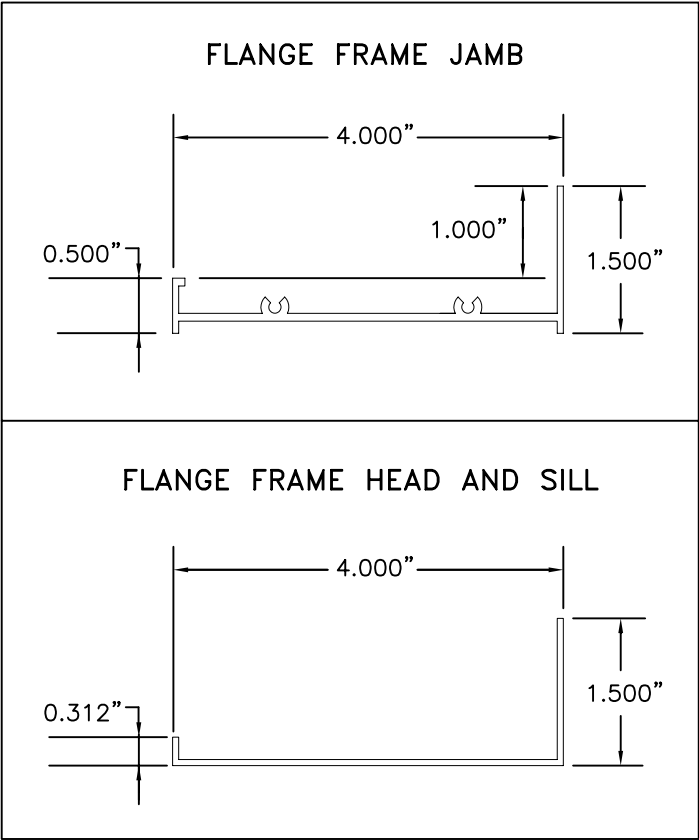


**CONSTRUCTION NOTES:**

- **Frame:** 6063T5 extruded aluminum, .081" wall thickness. Caulking slots provided
- **Blades:** 6063T5 extruded aluminum, .081" wall thickness. 45° blade angle. Blades on approx. 4" centers.
- **Screen:** Bird screen 1/4" x .051" or insect screen available.
- **Finish:** Mill (see options).
- **Options:**  (1) Insect Screen  
 (2) Bird Screen  
 (3) Sky white powder coat paint by Dupont (100% polyester).

**NOTE:**

- MAX. SINGLE SECTION 84"x 84".
- MIN. 12"W x 12"H
- UNITS ARE 1/4" UNDERSIZE
- FOR POWDER COAT PAINTED PRODUCTS - DOUBLE LEAD TIME



NOTE: ALL DRAWINGS SUBJECT TO CHANGE WITHOUT PRIOR NOTICE.

TITLE: MODEL WLF (FLANGE)  
 STATIONARY LOUVERS  
 OUTSIDE AIR LOUVER

|                         |                   |               |                        |
|-------------------------|-------------------|---------------|------------------------|
| <b>GRILLE TECH INC.</b> |                   |               |                        |
| DRN BY:<br>JR           | DATE:<br>08/06/05 | SCALE:<br>NTS | DRAWING NO.<br>WL101-B |
| CKD BY:<br>IG           | DATE:<br>08/06/05 | REV:<br>IG    |                        |